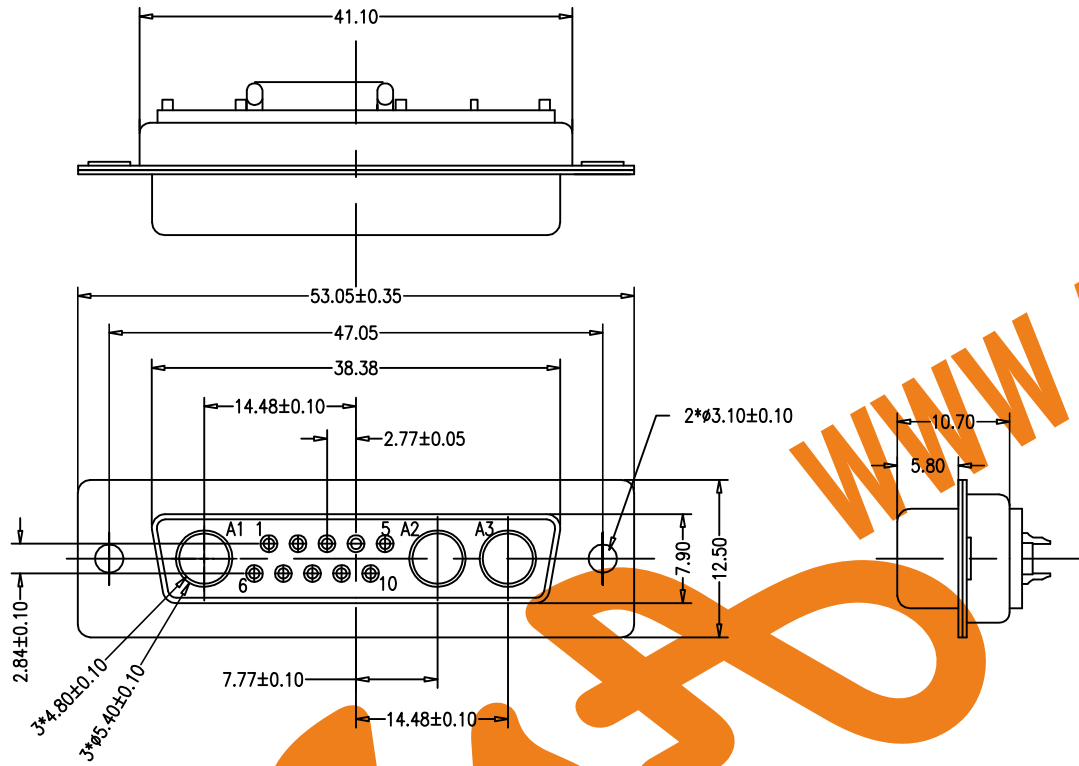


ROHS COMPLIANT

# Coaxial D-SUB 13W3 FEMALE Solder Cup



## ELECTRICAL CHARACTERISTICS:

Dielectric withstanding Voltage: AC 1000V r.m.s.  
 Insulation Resistance: 500 Megohms Minimum at DC 500V  
 Contact Resistance: 25 Milliohms  
 Operating Temperature: -20°C ~ +85°C

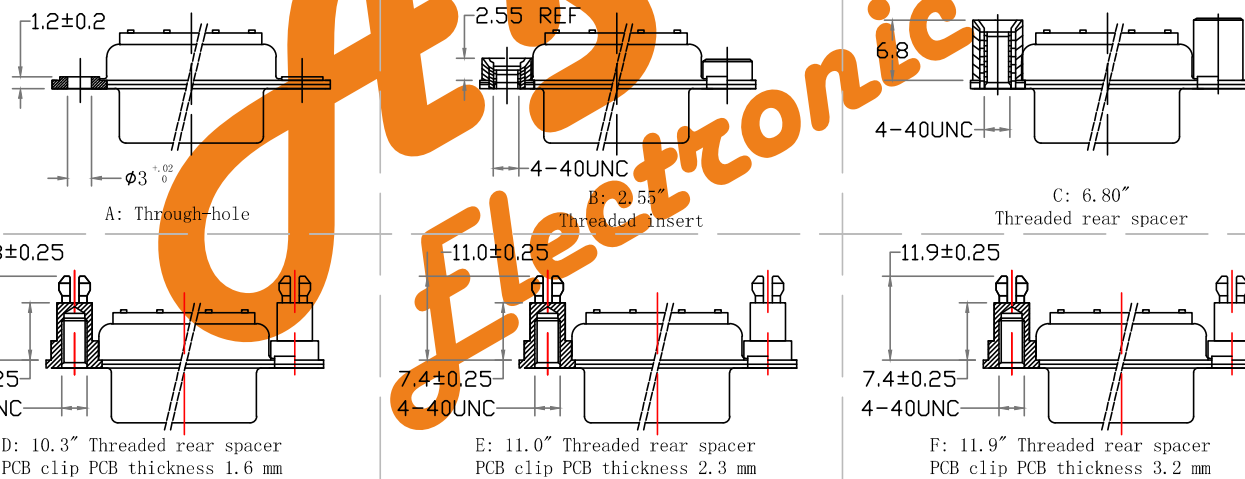
## MATERIALS:


Insulator: PBT, UL 94V-0 Rated  
 Shell: Cold Roller Steel

## Ordering Code:

PDC13W3 -F -G0 -B -X -00  
 ① ② ③ ④ ⑤ ⑥

- ① Series
- ② Contact Type:  
M: Male F: Female
- ③ Contact NO. :  
G0: Gold flash G1: 3u" Gold  
G2: 5u" Gold G3: 10u" Gold  
G4: 15u" Gold G5: 30u" Gold
- ④ Insulation Color Code:  
B: Black L: Blue  
W: White
- ⑤ Mounting Option:  
A: Through-hole  
B: 2.55" Threaded insert  
C: 6.80" Threaded rear spacer  
D: 10.3" Threaded rear spacer  
E: 11.0" Threaded rear spacer  
F: 11.9" Threaded rear spacer  
PCB clip
- ⑥ Series



Unless Otherwise specified tolerance		 <b>WWW.AsA-Elec.com</b> <b>AsA Electronic Co.</b> Tel : (+98) 21 66 73 56 82 Mob : (+98) 912 03 161 02
X.±0.35 X.X:±0.25 X.XX:±0.20 X.XXX:±0.15		
SCALE: 1:1	UNIT: mm	TITLE: Coaxial D-SUB 13W3 FEMALE Solder Cup
DRAWN: junfon H	CHECKED: YANG	
DRAWING NO: PDC13W3-FXXXX00 PRODUCT NO: PDC13W3-FXXXX00		

REV	DESCRIPTION	DATE
1	Add option of plating	12/7/17

